

# AK

## Multi-Use Shut-off Damper

with a lever for manual adjustment and bracket for an electric actuator Belimo LM / CM,  
with offset bracket for customer-side insulation up to 50 mm,  
push-fit ends with double lip rubber sealing Lipstar

Order No.

# 219

Length of the spigots

∅ 80 - 250 mm  $l_2 = 40\text{mm}$

∅ 280 - 400 mm  $l_2 = 60\text{mm}$

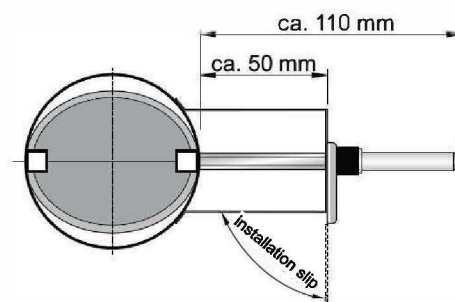
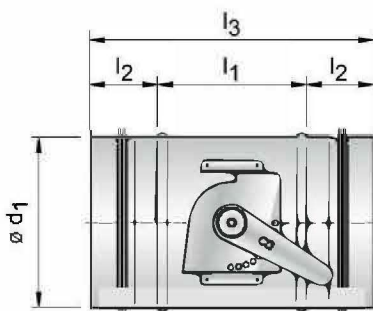
Sheet metal thickness

$s = 0.50\text{ mm}$

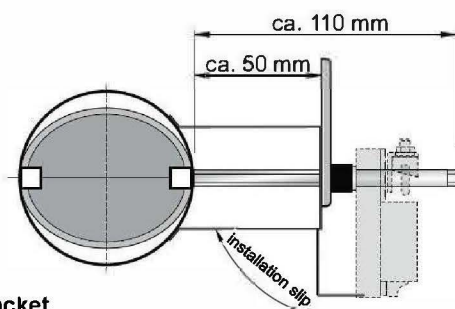
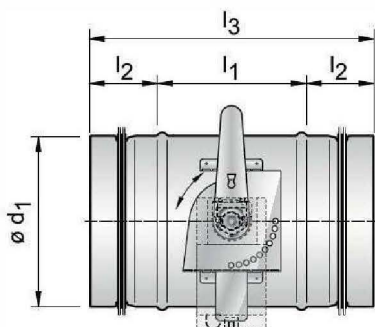
Order example

Order No.	∅ d <sub>1</sub> [mm]
219	200

Manual operation



Motor operation



Above: motor bracket

Motor provided by customer - not included

∅ d <sub>1</sub> [mm]	l <sub>1</sub> [mm]	Weight	Price
80	115	0,50 Kg	On request
100	115	0,60 Kg	
125	115	0,70 Kg	
140	115	0,80 Kg	
150	115	0,90 Kg	
160	115	0,90 Kg	
180	115	1,00 Kg	
200	135	1,20 Kg	
224	135	1,30 Kg	
250	135	1,50 Kg	
280	125	3,60 Kg	
300	125	4,50 Kg	
315	125	4,80 Kg	
355	125	5,90 Kg	
400	125	7,40 Kg	



**AEROTECHNIK  
SIEGWART**

Aerotechnik E. Siegwart GmbH  
Untere Hofwiesen • D-66299 Friedrichsthal  
☎ + 49 (0) 6897/859-0 • 📠 + 49 (0) 6897/859-150  
www.aerotechnik.de • info@aerotechnik.de

# AK

## Multi-Use Shut-off Damper

with a lever for manual adjustment and bracket for an electric actuator Belimo LM / CM,  
with offset bracket for customer-side insulation up to 50 mm,  
push-fit ends with double lip rubber sealing Lipstar

Order No.

# 219

### Tender Specifications:

**Shut-off Damper** AK, No. 219 with multi-use bracket for manual and motor adjustment  
**Make:** AEROTECHNIK E. Siegart  
**Type:** AK No. 219

Circular shut-off damper for shutting off the air ducts, in a compact form with a housing made from galvanized sheet steel, laser-welded, without overlapping; stop disc with ageing-resistant silicone gasket, the shaft feedthrough of the stop disc is located maintenance-free and airtight, in the flow direction airtight in accordance with DIN EN 1751 Class 4 up to a pressure of 1000 Pa for diameters 80 to 400, bearing and flap blade holder made of plastic; tightness of the pipe joints with double lip rubber sealing Lipstar in accordance with DIN EN 12237 Class D, housing leakage in accordance with DIN EN 1751 Class C.

**With a special bracket for manual adjustment and at the same time optional for mounting an electronic motor, Belimo LM / CM. Bracket offset from the body for customer-side insulation with an up to 50 mm thick insulation shell.**

Temperature range: -15°C to +100°C  
Suitable for air velocities up to 10 m/s  
Nominal diameters: 80 - 400 mm



**AEROTECHNIK  
SIEGWART**

Aerotechnik E. Siegart GmbH  
Untere Hofwiesen • D-66299 Friedrichsthal  
☎ + 49 (0) 6897/859-0 • 📠 + 49 (0) 6897/859-150  
[www.aerotechnik.de](http://www.aerotechnik.de) • [info@aerotechnik.de](mailto:info@aerotechnik.de)