



Our Inspiration.

In one breath.

Perfect volume flow control made easy.



Volume flow controller

- Self-regulating, circular
- Type VRC-N, for lower volume flows
- With new, optimized adjustment unit

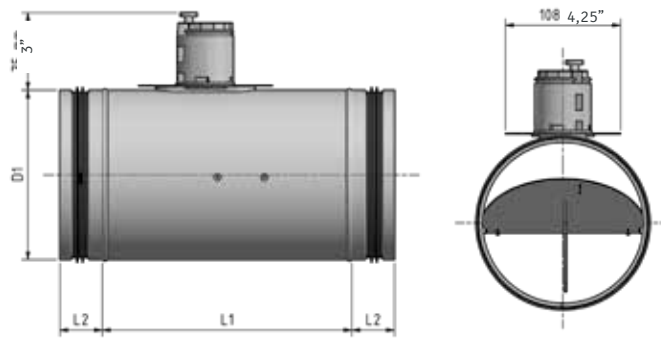
Easy, comfortable, precise as usual and reliable control behavior for perfect room climate.

ARTICLE NO. 237

ARTICLE NO. 237

Constant volume flow controller: self-regulating, circular, with comfortable adjustment unit for the change of volume flow

The volume flow controller type “VRC-N” is a comfortable alternative to the volume flow controller type “VRK-N”. It is suitable for the adjustment of a predetermined set point of the air flow for the supply or exhaust air of a room, sustainable and independent from fluctuating duct air pressure.

**Dimensions**

- Ø 80 mm
- Ø 100 mm
- Ø 125 mm
- Ø 150 mm
- Ø 160 mm
- Ø 200 mm
- Ø 250 mm

Execution:

- With adjustment unit for manual volume flow control: **VRC 237-1**
- With bracket for the mounting of an electronic actuator: **VRC 237-2**

Options:

- 25 or 50 mm insulation shell to reduce the case-radiated noise
- Silencer to reduce the air flow noise
- Duct connection on both sides with flat flange or brim possible (standard: push-fit ends with Lipstar double lip sealing system)



Information regarding air flow noise and case-radiated noise can be found in the product leaflet for the VRK No. 233.

Perfect volume flow control made easy.



Product advantages

- Well readable scale with volume flows indicated in m³/h and cfm
- Change of volume flow in next to no time without tools via the newly developed adjustment unit
- Adjustment unit ergonomically designed and handy

Product information:

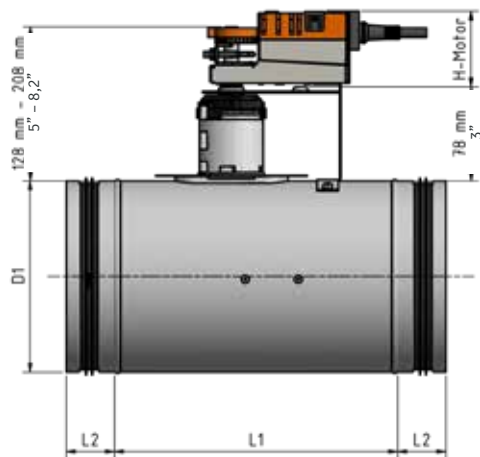
- The constant volume flow controller works mechanically self-regulating without auxiliary power
- Ex works with basic setting or adjusted to the volume flow requested by the customer
- The preset airflows can be changed subsequently by the customer just by manually turning the adjustment unit. **There are no tools required!**
- Push-fit ends according to DIN EN 12237 with Lipstar double lip sealing
- Casing made of galvanized steel
- Adjustment unit made of solid plastic
- Control plate and vibration damper made of aluminum
- Ventilation test of every device on our test bench
- Vertical or horizontal mounting in the duct system irrespective of the position

Technical data

- Nominal diameter: 80, 100, 125, 150, 160, 200, 250 mm
- Volume flow range: 25–800 m³/h (15–471 cfm)
- Differential pressure range: 50 – 500 Pa
- Ambient air temperature: -30°C to +80° C
- Casing leakage according to DIN EN 1751, class C
- Recommended air velocity in the duct ca. 3,00 m/s

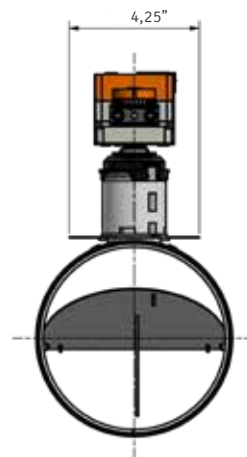
Functionality

In constant-volume controllers without auxiliary power, the flow control is achieved by an easy moving, asymmetrical angled control panel that ensures a sensitive response and control behavior even for small amounts of air flow rates.



Dimensions - volume flow

Size (mm)	Volume flow (m ³ /h)		Dimensions (mm)		
	min.	max.	l_1	l_2	l_3
80	25	80	165	40	245
100	40	125	165	40	245
125	65	220	165	40	245
150	80	280	165	40	245
160	100	350	235	40	315
200	160	500	235	40	315
250	240	800	235	40	315



Control accuracy

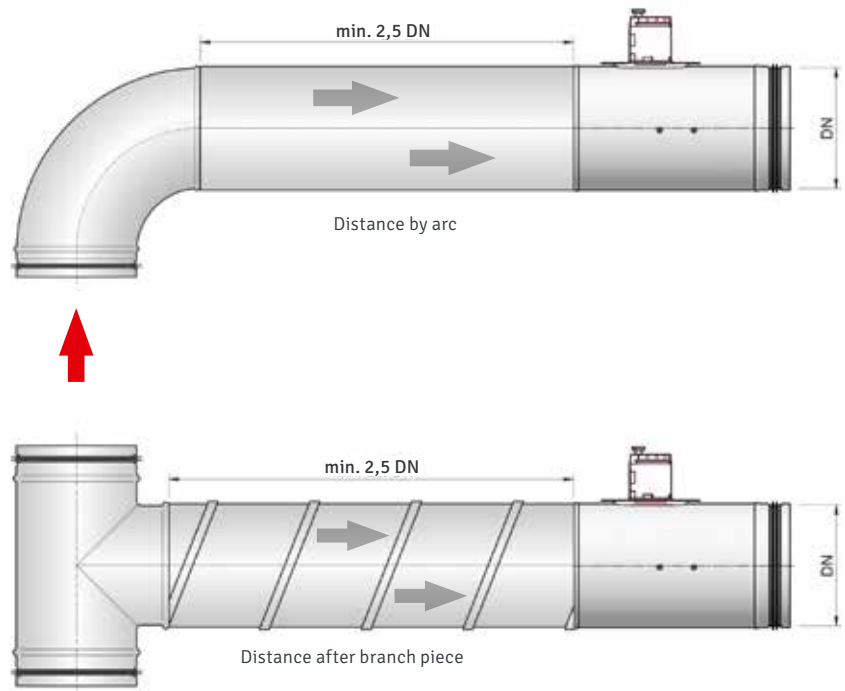
The controller operates from the minimum pressure difference up to the maximum pressure difference of 500 Pa.

Over this entire pressure range, the flow rate deviation is $\pm 10\%$ (less than $100 \text{ m}^3/\text{h} \pm 10 \text{ m}^3/\text{h}$).

Perfect volume flow control made easy

Mounting information:

When installing behind redirections or junctions, the free flow section must be at least $2,5 \cdot \text{diameter}$.



Maintenance:

All components are maintenance-free, ageing-resistant and corrosion-free under normal conditions. According to DIN EN 12097 an accessibility to the duct system and the volume flow controller for operation and maintenance must be observed. For actuators and electronic controllers, the additional information of the manufacturer applies.

Product description:

Manufacturer: AEROTECHNIK E. Siegart Type: VRC-N, no. 237

The circular constant volume flow controller for lower airflows, self-regulating, mechanical, in a compact form with push-fit ends with lip sealing made from EPDM. Air flow factory preset and tested for function, manually adjustable by the customer via a scale and adjustment unit, high accuracy, smooth running control plate in airtight position, pressure difference range from 50 Pa to 500 Pa, air flow 3:1; operating temperature range -30°C to $+80^{\circ}\text{C}$, non-ageing, maintenance-free and irrespective of position.

Laser-welded housing made of galvanized steel, without overlapping; control plate and vibration damper made of aluminum, internal friction bearings made of PTFE; adjustment unit made of plastic.

Airtightness of the push-fit ends according to DIN EN 12237 class D.



Aerotechnik E. Siegwart GmbH
Untere Hofwiesen • D-66299 Friedrichsthal
T + 49 (0) 6897 859 0 • info@aerotechnik.de

www.aerotechnik.de